



OPERATION MANUAL



**2.1 MULTIMEDIA
SPEAKER SYSTEM**

M-580

Congratulations on your purchase of the REAL-EL speaker system!**COPYRIGHT**

© 2020. ENEL GROUP OU.

This Manual and information contained in are copyrighted. All rights reserved.

TRADEMARKS

All trademarks are the property of their legal holders.

CONTENTS

ENG	2
1. BUYER RECOMMENDATIONS	2
2. PACKAGE CONTENTS	3
3. SAFETY PRECAUTIONS	3
4. TECHNICAL DESCRIPTION	4
5. CONNECTION	6
6. OPERATION MODES	6
7. TROUBLESHOOTING	8
8. TECHNICAL SPECIFICATIONS	8
UKR	9
POL	16

1. BUYER RECOMMENDATIONS

- Unpack the device carefully. Make sure there are no accessories left in the box. Check up the device for damage; if the product was damaged during transportation, address the firm, which carried out the delivery; if the product functions incorrectly, address the dealer at once.
- Check up the package contents and availability of the warranty card. Make sure the warranty card has a shop stamp, a legible signature or the seller's stamp and purchase date, and the goods number corresponds to that in the warranty card. Remember: in case of warranty card loss or discrepancy of numbers you forfeit the right for warranty repairs.
- Do not switch on the speaker system immediately after you bring it into a room from environment with negative temperature! After unpacking, the speaker system should be kept in conditions of room temperature for at least 4 hours.
- Before installing and using the speaker system, read this Manual carefully and keep it for future reference.

2. PACKAGE CONTENTS

- Subwoofer – 1 pc
- Satellites – 2 pcs
- Remote control (RC) – 1 pc
- AAA type batteries – 2 pcs
- Signal cable – 1 pc
- FM antenna – 1 pc
- Operation manual – 1 pc
- Warranty card – 1 pc

3. SAFETY PRECAUTIONS

- Do not open Multimedia Speaker System (MSS) and do not perform repairs by yourself. Service and repairs should be performed by qualified specialists in an authorized service center only. The list of authorized service centers is available at www.real-el.com
- Do not put foreign objects inside the holes of the MSS.
- Protect the MSS from high humidity, water and dust.
- Protect the MSS from heating: do not place it closer heat source. Do not expose it to direct sunlight.
- Do not place any open flame sources on or close to MSS.
- Do not use any chemical agents for cleaning. Clean it with dry soft cloth only.
- In case of MSS does not work properly, power cable must be disconnected. Please contact place of purchase or service center.

4. TECHNICAL DESCRIPTION

M-580 2.1 Multimedia Speaker System (MSS) is designed to play music and sound games, movies, etc. The MSS enabling to connect to virtual to any audio source (CD/DVD-player, TV, phone, PC, etc.) without using an additional power amplifier. The MSS has a built-in FM radio, Bluetooth module and audio files player USB flash, SD card.

Features

- Audio playback via Bluetooth
- USB flash drive, SD card
- Multi color backlight
- Digital display
- FM radio
- Remote control
- Wooden case of subwoofer and satellites

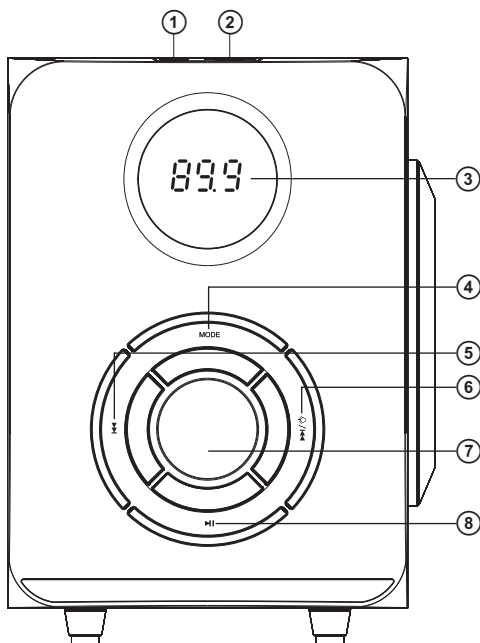


Fig. 1. Subwoofer control panel

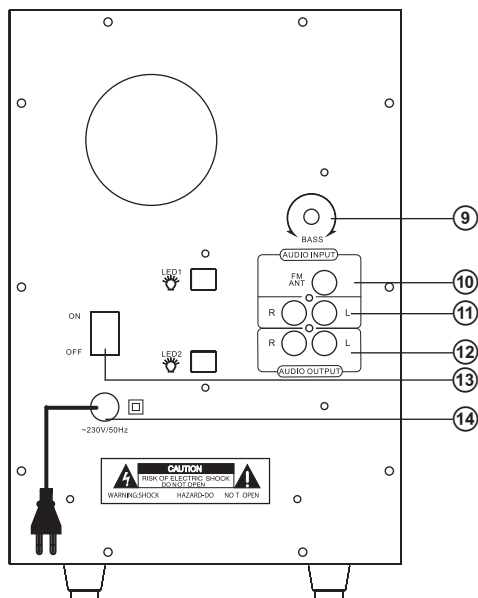


Fig. 2. Subwoofer rear panel

Subwoofer control panels:

- ① USB: Port for a USB flash device* containing MP3, WAV audio files.
- ② SD/MMC: Slot for SD/MMC cards* containing MP3, WAV audio files.
- ③ LED display.
- ④ MODE: Switch button of AUX/Bluetooth/FM/USB/SD (MMC).
- ⑤ ◀◀: Previous track (press shortly in the Player and Bluetooth mode); previous station (press shortly in the Radio mode).
- ⑥ ▶▶/💡: Next track (press shortly in the Player and Bluetooth mode); next station (Radio mode); On/OFF backlit (press and hold for 2-3 sec).
- ⑦ VOL+/- Volume level control.
- ⑧ ▶⏸: Play/Pause (press shortly in the Player mode).

- ⑨ BASS: Bass level control.
- ⑩ FM ANT: Radio antenna input jack.
- ⑪ AUDIO INPUT: Jack to connect PC, mobile devices, and other audio sources.
- ⑫ AUDIO OUTPUT: Jack to connect satellites.
- ⑬ ON/OFF : Power switch.
- ⑭ Power cord.

* Connection of external hard disks other than USB flash drive is not recommended, otherwise it can cause the MSS damage.

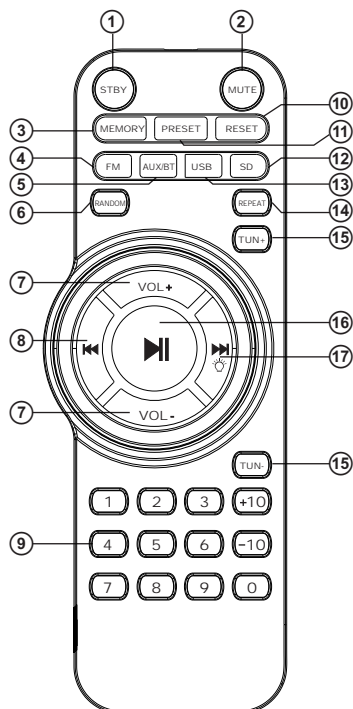


Fig. 3. Remote control

Remote control:

- ① STBY: On/Off Standby mode.
- ② MUTE: sound on/off button.
- ③ MEMORY: memorize selected frequency (Radio mode)
- ④ FM: Radio mode.
- ⑤ AUX/BT: AUX line input or Bluetooth mode selection.
- ⑥ RANDOM: random playback.
- ⑦ VOL+/-: volume level control buttons.
- ⑧ ◀▶:previous track (press shortly in Player and Bluetooth mode); previous station (press shortly in Radio mode).
- ⑨ 0-9, +/- 10: numeric pad.
- ⑩ RESET: return to default settings.
- ⑪ PRESET: change FM channels list .
- ⑫ SD: playback files on SD card.
- ⑬ USB: playback audio files mode selection USB flash.
- ⑭ REPEAT: one press for current track cycle playback. Twice press for all tracks cycle playback.
- ⑮ TUN -/+ : buttons for manual radio frequency scanning. Increase/ decrease the frequency up to 100 kHz by press shortly. By pressing long the search mode is activated the first station up/down the frequency range).
- ⑯ ▶▶: Play/Pause (pressed short in the Player mode).
- ⑰ ▶▶/☀ :next track (pressed short in the Player and Bluetooth mode); next station (press shortly in the Radio mode); switch ON/switch OFF backlight (press and hold for 2-3 sec).

5. CONNECTION

Connection MSS

M-580 speaker system can be connected to most of audio devices: DVD/CD players, PCs, laptops, etc. (see connection diagram in Fig. 4).

- Before making any connections, make sure the MSS is off and unplugged. Then connect satellites to the subwoofer AUDIO OUTPUT L/R ② jacks using built-in audio cables. Connect the right satellite to the subwoofer AUDIO OUTPUT R and the left satellite – to the AUDIO OUTPUT L (see connection diagram in Fig. 4).

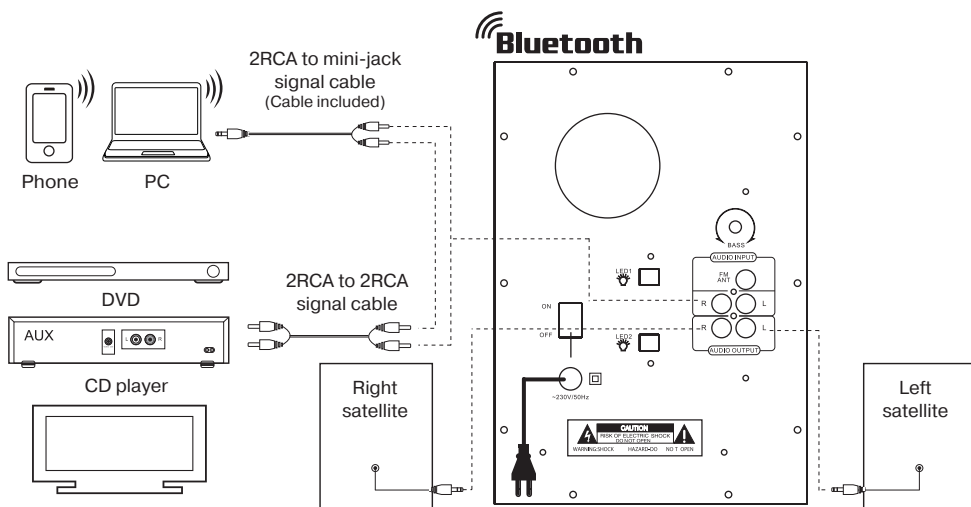


Fig. 4. Connection diagram

6. OPERATION MODES

Player Mode

• The system will enter the Player mode automatically when a carrier (USB flash or SD/MMC card)* is connected to corresponding ports ① or ②; or press MODE button ④ on the front panel of the subwoofer or SD②/USB③ button on the remote control. The LED display will show selected mode, total number of the tracks, exact track number on the play list and playback time. The playback will start automatically.

- To select a track, you can directly enter its number on the remote control using the numeric pad buttons ③. The display will show the track number for a short time and then the playback time elapsed.

* The operation may be incorrect if a SD card of 512 Mb capacity or lower is used. If a USB flash device of 8 Gb capacity or more is used, command processing time may be extended.

Bluetooth mode

- Bluetooth mode requires connection of MMS with a signal source. For this purpose select the Bluetooth mode using MODE button ④ on the front panel of the subwoofer or AUX/BT button ⑤ on the remote control. After 2-3 seconds the speaker system starts the search mode.
- It is necessary to select the search mode of devices with Bluetooth on a signal source (phone, notebook, smartphone, etc.). "M-580" device will be displayed on the screen which should be connected to*.
- Indicator light continuously when connection is successful. If there is no connection, indicator will blink. In this case the system should be switched over to the search mode once again (turn off and turn on Bluetooth mode)**.

* You might have to enter "0000" code to connect some models via Bluetooth.

** If an item has been already registered in the device list of sources, then the second search mode activation is not needed. Choose only the item name and the "connect" command on the source.

FM Mode

- Use MODE button ④ on the front panel of the subwoofer or FM button ④ on the remote control to enter the Tuner mode. The display will backlight the current adjustment frequency.
- Press and hold button ⑧ on the front panel of the subwoofer or button ③ on the remote control short to auto scan and memorize the found stations. Press again to stop scanning. The display shows the frequency being scanned, when a radio station is being memorized, the display shows its assigned sequence number for a short moment.
- For manual scanning, use buttons TUN-/+ ⑮ on the remote control (up/down the frequency range).
- If preset radio stations are available in the memory, you can switch from one to another by short pressing buttons ⑤ and ⑥ on the front panel of the subwoofer or buttons ⑧ and ⑰ on the remote control. You can also enter the frequency or the number of the preset station using numeric pad buttons ⑨ on the remote control. The display will show the station number for a short moment and then its frequency.

"Line input" Mode (AUDIO INPUT)

- Press MODE button ④ on the front panel of the subwoofer or AUX/BT button ⑤ on the remote control to switch to the AUX mode. The display will show AUX inscription.

MUTE Mode

- To enter the MUTE mode, press button ② on the remote control. To quit the MUTE mode press the button ② repeatedly or press one of the buttons VOL +/- ⑦ on the remote control

Note. Due to the constant development of the software, the actual MSS operation may differ from described in this Manual. The most recent version of the Manual is available at www.real-el.com

7. TROUBLESHOOTING

Problem	Cause	Solution
The MSS does not turn on.	The MSS isn't connected to a mains outlet.	Check the connection.
	The power switch is off.	Turn on the switch.
No sound or the sound is too quiet.	Volume level is set at minimum value.	Adjust the volume control knob.
	Improperly connected audio source.	Connect the audio sources correctly.
Distortion of sound.	Large amplitude of the input signal.	Turn down the source volume and the MSS volume.
The remote control is not working.	The batteries are discharged.	Replace the batteries with new ones.

If none of the above methods can solve the problem, please seek professional advice at your nearest service center. Never attempt to repair the product yourself.

8. TECHNICAL SPECIFICATIONS

Parameter, measurement unit	Value
Output power (RMS) subwoofer satellites	58 (30 + 2 × 14) W 30 W 2 × 14 W
Frequency response subwoofer satellites	40 – 200 Hz 200 – 20 000 Hz
Speaker diameter subwoofer satellites	Ø 133 mm Ø 76 mm
Bluetooth version	4.2
Bluetooth operating range	up to 10 m
Power supply	~230/50 V/Hz
Dimensions subwoofer satellites (one speaker)	200 × 290 × 250 mm 105 × 180 × 110 mm
Weight	4.8 kg

Notes:

- Technical specifications given in this table are supplemental information and cannot give occasion to claims.
- Technical specifications and package contents are subject to change without notice due to the improvement of REAL-EL production.



Manufacturer: ENEL GROUP OU, Harju maakond, Rae vald, Jüri alevik, Aruküla tee 55a, 75301, Estonia.
© Registered Trademark of ENEL GROUP OU. Estonia.